



INJECTORS

IWP

Pico Top Feed Racing Injector
Up to 0.5 MPa - Up to 0.66 L/min

Description

The IWP "Pico" top feed injector is a standard production component, tested and selected for racing applications.

The characteristics of the injector are a fast pulse response, high precision, high dynamic range and optimum fuel atomization. These are achieved by a high performance ON-OFF actuating electromagnet with opposing expansion poles that moves an internal injector valve on high-precision ground cylindrical slides, and a high precision nozzle.

The injector has a stainless steel body, a fuel-resistant plastic connector, martensitic stainless steel internal valve and an electromagnet with a low carbon content stainless steel armature.

The electrical connection to the control unit is via a Mini-Timer plastic plug.



Main Features

- Pressure range 0.3 to 0.5 MPa
- Static flow range 0.33 to 0.66 L/min
- Driver current..... 0.8 A
- Spray shape single spray or twin jet

Benefits

- Methanol
- Multihole spray shaping
- On off driven
- High precision
- Small dimension & weight

Typical Applications

In professional circuit and rally applications
Touring car

INJECTORS

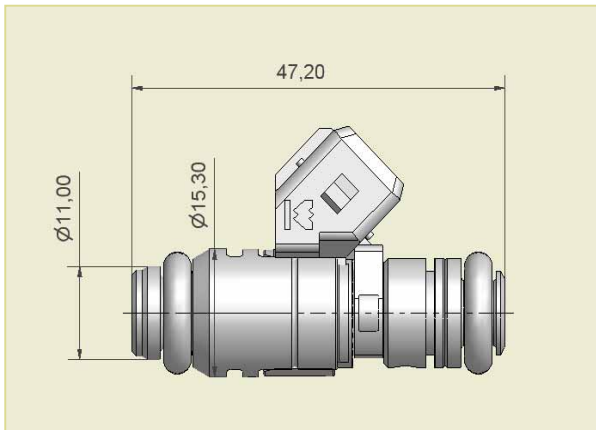
IWP

Pico Top Feed Racing Injector
Up to 0.5 MPa - Up to 0.66 L/min

Technical Characteristics

Pressure range	0.3 to 0.5	MPa
Static flow range	0.33 to 0.66	L/min
Driver current	0.8	A
Spray type	multihole	
Spray shape	single spray or twin jet	
Power supply	8 to 16	V
Operating temperature range.....	-30 to 110	°C
Connector type.....	AMP Junior 2 ways minitimer	
Weight.....	35	g

Dimensions



Dimensions in millimetres

Injector	IWP043	IWP063	IWP145	
Nominal pressure	500	500	500	kPa
Static flow rate	421.1	498.3	658	cm ³ /min
Spray shape	Single spray	Twin jet	Twin jet	

For further information, please contact:

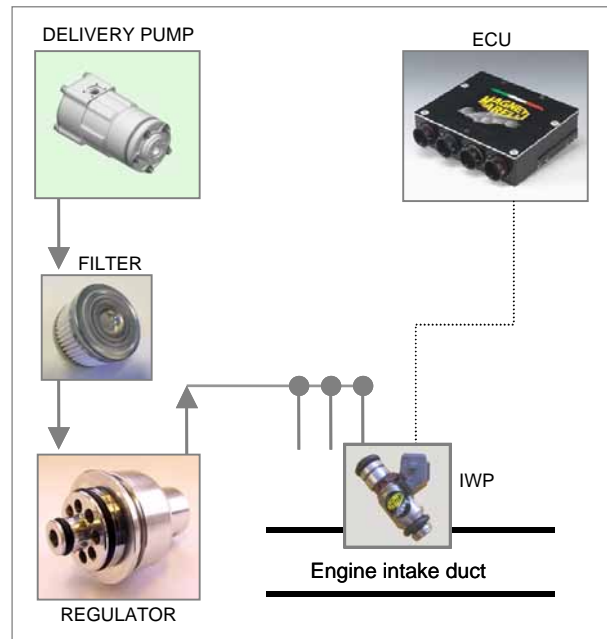


Magneti Marelli Holding S.p.A.
Motorsport
Viale Aldo Borletti, 61/63
20011 Corbetta (Milano) Italy

Tel. +39 02 972 27 478
Fax +39 02 972 27 570
sales@magnetimarelli.com
http://www.magnetimarelli.com

January 2006
rel. 03
page 2 of 2

Application Schematics



IWP-0638XXXXXXXX00