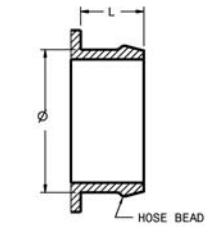


Compressor Inlet

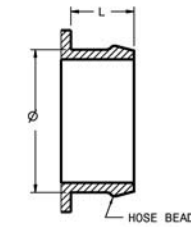
HOSE CONNECTIONS
TABULATED AS (Ø x L)



Ø 50 x 25

Compressor Outlet

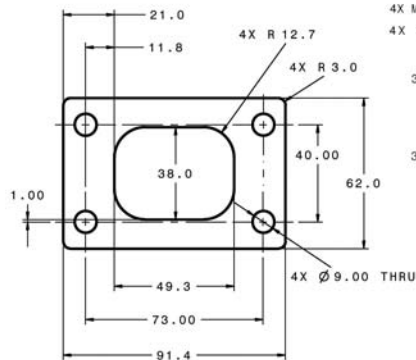
HOSE CONNECTIONS
TABULATED AS (Ø x L)



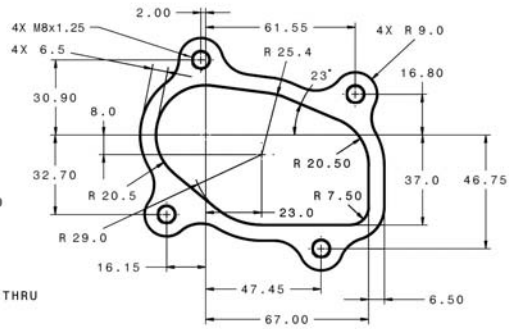
Ø 50 x 25

Turbine Inlet

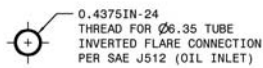
"T25"



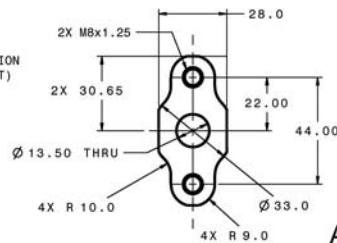
Turbine Outlet



Oil Inlet



Oil Outlet



Water

M14 x 1.50

All Measurements in MM